



JAGUAR CUTTER FOR SX299 MASTER LOCKING WHEEL NUT REMOVAL SET

MODEL NO: **SX299JAG**

Thank you for purchasing a Sealey product. Manufactured to a high standard, this product will, if used according to these instructions, and properly maintained, give you years of trouble free performance.

IMPORTANT: PLEASE READ THESE INSTRUCTIONS CAREFULLY. NOTE THE SAFE OPERATIONAL REQUIREMENTS, WARNINGS & CAUTIONS. USE THE PRODUCT CORRECTLY AND WITH CARE FOR THE PURPOSE FOR WHICH IT IS INTENDED. FAILURE TO DO SO MAY CAUSE DAMAGE AND/OR PERSONAL INJURY AND WILL INVALIDATE THE WARRANTY. KEEP THESE INSTRUCTIONS SAFE FOR FUTURE USE.



Refer to instructions



Wear eye protection



Wear protective gloves



Wear safety footwear

1. SAFETY

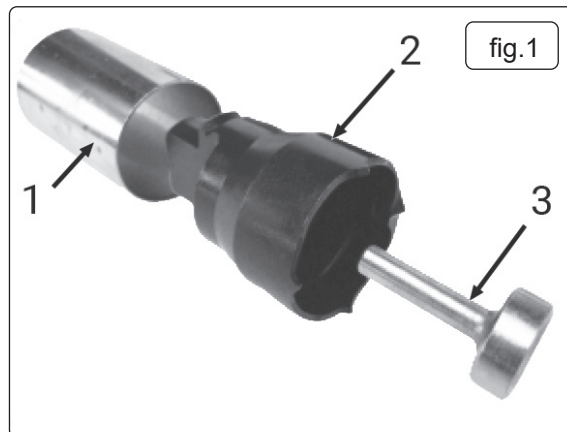
- ❑ **WARNING! DO NOT** use the tool if damaged or thought to be faulty.
- ❑ **WARNING!** Ensure that Health & Safety, Local Authority Regulations and general workshop practice Regulations are adhered to when using tools.
- × **DO NOT** use the tool for a task it is not designed to perform.
- × **DO NOT** use the tool unless you have been instructed in its use by a qualified person.
- × **DO NOT** operate the tool if you are tired or under the influence of alcohol, drugs or intoxicating medication.
- ✓ Maintain the tool in good condition.
- ✓ Follow all workshop safety rules, regulations and conditions.
- ✓ Wear eye protection, protective gloves and safety footwear.
- ✓ Maintain correct balance and footing. Ensure the floor is not slippery and wear non-slip shoes.
- ✓ Keep children and non essential persons away from the work area.

2. INTRODUCTION

Specially designed cutter for use on Jaguar locking wheel nuts. To be used in conjunction with Model No. SX299 Master Locking Wheel Nut Removal Set

3. CONTENTS

No.	Description
1	Outer shroud
2	Key
3	Mandrel



4. OPERATION

4.1. TOOL ASSEMBLY

- 4.1.1. Slide outer shroud (fig.1.1) fully down over remover tool body (**NOTE:** An 'O' ring is used to make this a tight sliding fit).
- 4.1.2. Insert key (fig.1.2) into tool body. Engage and clip in place using the spring ring in tool body.
- 4.1.3. Slide outer shroud (fig.1.1) up over the spring ring to prevent it expanding and the key becoming loose.

4.2. USAGE PREPARATION

- 4.2.1. Check that the splines (front and back) on the locking wheel nut are aligned.
- 4.2.2. If not aligned, insert the mandrel (fig.1.3) into the key (fig.1.2) and locate the key splines with the front splines of the locking wheel nut.
- 4.2.3. Rotate the tool to align front and rear splines.

4.3. OPERATION

- 4.3.1. Once aligned, remove the mandrel (fig.1.3) and replace key onto locking wheel nut ensuring re-location of key onto the rear splines of the locking wheel nut.
- 4.3.2. Using the impact driver (SX299.V2-01) gradually increase the impact effort ensuring sufficient engagement of the key to the rear splines of the locking wheel nut.
- 4.3.3. Using the impact drive socket (SX299.08) loosen and remove the locking wheel nut.

5. MAINTENANCE

- 5.1. Clean with lightly oiled cloth before storing after use.



ENVIRONMENT PROTECTION

Recycle unwanted materials instead of disposing of them as waste. All tools, accessories and packaging should be sorted, taken to a recycling centre and disposed of in a manner which is compatible with the environment. When the product becomes completely unserviceable and requires disposal, drain any fluids (if applicable) into approved containers and dispose of the product and fluids according to local regulations.



REGISTER YOUR
PURCHASE HERE

Note: It is our policy to continually improve products and as such we reserve the right to alter data, specifications and component parts without prior notice.

Important: No Liability is accepted for incorrect use of this product.

Warranty: Guarantee is 12 months from purchase date, proof of which is required for any claim.

Jack Sealey Ltd t/a Sealey Group, Kempson Way, Suffolk Business Park, Bury St Edmunds, Suffolk, IP32 7AR UK
Jack Sealey (EU) Ltd t/a Sealey Group, Farney Street, Carrickmacross, Co. Monaghan, A81 PK68 Ireland
Tel: 01284 757500 • **Email:** sales@sealey.co.uk • **Web:** www.sealey.co.uk